

CCMD2010-OIRD

2MP speed dome IR 23x IK10 IP66

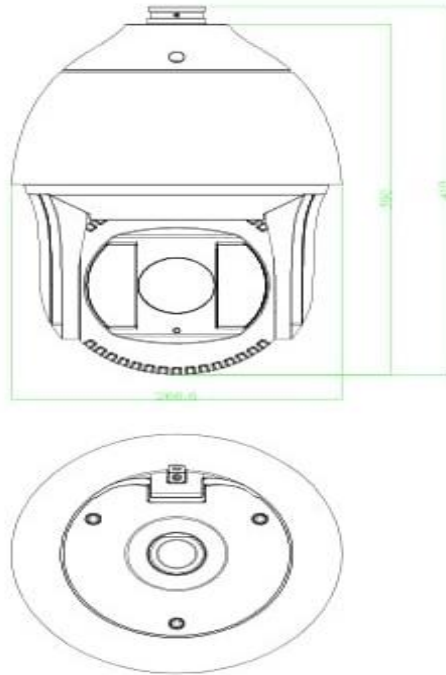
VANDERBILT



Under the poorest lighting conditions, the Vanderbilt Eventys PTZ smart IP dome clearly sees in colour what other cameras can only see in black and white. During the day, with their exceptional WDR, they can see through high contrast conditions, such as overly dark or brightly lit areas, to deliver clear images. Industrial-leading ultra-low light technology and rich smart functions make coloured images possible in dim light environments.

Key features include:

- 1/1.9" HD CMOS sensor
- 2MP(1920*1080) Full HD
- 23X Optical Zoom
- Ultra-low illumination
- 120dB True WDR
- Smart Tracking
- Smart Detection
- EIS (Electronic Image Stabilization)
- Defog
- 200m IR distance
- Hi-PoE / 24VAC power supply



Technical data

Model	CCMD2010-OIRD
Camera	
Image Sensor	1/1.9" Progressive Scan CMOS
Min. Illumination	F1.5, AGC on: Color: 0.002 lux, B/W: 0.0002 lux, 0 lux with IR
Max. Image Resolution	1920x1080
Focal Length	5.9-135.7mm, 23x
Digital Zoom	16X
Zoom Speed	Approx.4.4s (Optical Wide-Tele)
Angle of View	59.8-3.0 degree (Wide-Tele)
Min. Working Distance	10-1500mm(Wide-Tele)
Aperture Range	F1.5~F3.4
Focus Mode	Auto / Semiautomatic / Manual
WDR	120dB
S / N Ratio	≥ 55dB
Shutter Time	50Hz: 1~1/30,000s; 60Hz: 1~1/30,000s
AGC	Auto / Manual
White Balance	Auto / Manual /ATW/Indoor/Outdoor/Daylight lamp/Sodium lamp
Day & Night	IR Cut Filter
Privacy Mask	24 privacy masks programmable; optional multiple colors and mosaics
Enhancement	3D DNR, EIS, Defog, HLC/BLC, SVC

Pan and Tilt	
Range	Pan:360°endless; Tilt: -20°~90° (Auto Flip)
Speed	Pan Manual Speed: 0.1°~160°/s, Pan Preset Speed: 240°/s Tilt Manual Speed: 0.1°~120°/s, Tilt Preset Speed: 200°/s
Number of Preset	300
Patrol	8 patrols, up to 32 presets per patrol
Pattern	4 patterns, with the recording time not less than 10 minutes per pattern
Park Action	Preset / Patrol / Pattern / Auto scan / Tilt scan / Random scan / Frame scan / Panorama scan
Scheduled Task	Preset / Patrol / Pattern / Auto scan / Tilt scan / Random scan / Frame scan / Panorama scan/Dome reboot/Dome adjust/Aux output
Smart Features	
Smart tracking	Manual/ Panorama/ Intrusion trigger/ Line crossing trigger/ Region entrance trigger/ Region exiting trigger Smart tracking when patrol between multiple scenarios
Smart detection	Face detection, Intrusion detection, Line crossing detection, Audio exception detection, Region entrance detection, Region exiting detection
ROI encoding	Support 24 areas with adjustable levels
Infrared	
IR Distance	Up to 200m
IR Intensity	Automatically adjusted, depending on the zoom ratio
Alarm	
Alarm I/O	7/2
Alarm Trigger	Face detection, Intrusion detection, Line crossing detection, Region entrance, Region exiting, Audio exception detection, Motion detection, Dynamic analysis, Tampering alarm, Network disconnect, IP address conflict, Storage exception
Alarm Action	Preset, Patrol, Pattern, Micro SD/SDHC card recording, Relay output, Notification on Client, Send Email, Upload to FTP, Trigger Channel
Input/Output	
Monitor Output	1.0V[p-p] / 75Ω, NTSC (or PAL) composite, BNC
Audio Input	1 Mic in/Line in interface, line input: 2-2.4V[p-p]; output impedance: 1KΩ, ±10%
Audio Output	1 Audio output interface, line level, impedance: 600Ω
Network	
Ethernet	10Base-T / 100Base-TX, RJ45 connector
Main Stream	50Hz: 25fps (1920×1080, 1280×960, 1280×720); 60Hz: 30fps (1920×1080, 1280×960, 1280×720)
Sub Stream	50Hz: 25fps (704×576, 352×288, 176×144); 60Hz: 30fps (704×480, 352×240, 176×120)
Third Stream	50Hz: 25fps (1920×1080, 1280×960, 1280×720, 704×576, 352×288, 176×144) 60Hz: 30fps (1920×1080, 1280×960, 1280×720, 704×480, 352×240, 176×120)
Image Compression	H.264/MJPEG/MPEG4, H.264 encoding with Baseline/Main/High profile
Audio Compression	G.711ulaw/G.711alaw/G.726/MP2L2/G.722/PCM

Protocols	IPv4/IPv6, HTTP, HTTPS, 802.1X, QoS, FTP, SMTP, UPnP, SNMP, DNS, DDNS, NTP, RTSP, RTP, TCP, UDP, IGMP, ICMP, DHCP, PPPoE
Simultaneous Live View	Up to 20 users
Mini SD Memory Card	Support up to 128GB Micro SD/SDHC/SDXC card. Support Edge recording
User/Host Level	Up to 32 users,3 Levels: Administrator, Operator and User
Security Measures	User authentication (ID and PW); Host authentication (MAC address); IP address filtering
System Integration	
Application programming	Open-ended API, support ONVIF, PSIA, CGI and Genetec
Web Browser	IE 7+, Chrome 18 +, Firefox 5.0 +, Safari 5.02 +, support multi-language. Not all web browsers support the live view plugin. Recommendation is to use Internet Explorer v8 or later.
RS-485 Protocols	Pelco-P, Pelco-D, self-adaptive
Power	High-PoE&24 VAC, Max.60W
Working Temperature	-40°C ~ 65°C (-40°F ~ 149°F)
Humidity	90% or less
Protection Level	IP66, IK10, TVS 6,000V lightning protection, surge protection and voltage transient protection
Certification	FCC, CE, UL, RoHS, IEC/EN 61000, IEC/EN 55022, IEC/EN 55024, IEC /EN60950-1
Dimensions	Φ266.6(mm)×365.2(mm)
Net Weight	7kg

Details for ordering

Type	Part no.	Designation	Gross Weight
CCMD2010-OIRD	V54561-C147-A100	CCMD2010-OIRD, 2MP speed dome IR 23x IK10 IP66	12Kg

Details for ordering camera accessories

Type	Part no.	Designation	Gross Weight
CCMD2010-WM	N54561-M113-A100	CCMD2010-WM, Wall Mount	
CCMD2010-VPM	N54561-M114-A100	CCMD2010-VPM, Vertical Pole Mount	
CCMD2010-CM	N54561-M115-A100	CCMD2010-CM, Corner Mount	3 KG
CCMD2010-WMPB	N54561-M116-A100	CCMD2010-WMPB, Pole Mount with Power Box	4,2 KG
CCMD2010-VPMJB	N54561-M117-A100	CCMD2010-VPMJB, Vertical Pole Mount with Junction Box	8 KG
CCMD2010-WMJB	N54561-M118-A100	CCMD2010-WMJB, Wall Mount with Junction Box	9,5 KG
CCMD2010-GM	N54561-M119-A100	CCMD2010-GM, Gooseneck Mount	10 KG
CCMD2010-PM	N54561-M120-A100	CCMD2010-PM, Pendant Mount	1 KG
CCMD2010-PML	N54561-M121-A100	CCMD2010-PML, Pendant Mount long	1,5 KG
CCMD2010-CMA	N54561-M122-A100	CCMD2010-CMA, Ceiling Mount	0,5 KG
CCMD2010-PWM	N54561-M123-A100	CCMD2010_PWM, Parapet Wall Mount	5,5 KG

Issued by Vanderbilt
Clonshaugh Business and Technology Park
Clonshaugh
Dublin 17
Ireland
D17 KV84
www.vanderbiltindustries.com

© Vanderbilt 2017
Data and design subject to change without notice
Supply subject to availability
Document no: C-301504
Document version: 1.0
Edition :01/05/2017

VANDERBILT