

CPMW4010-VIR

4 Megapixel CMOS varifocal network bullet camera

VANDERBILT



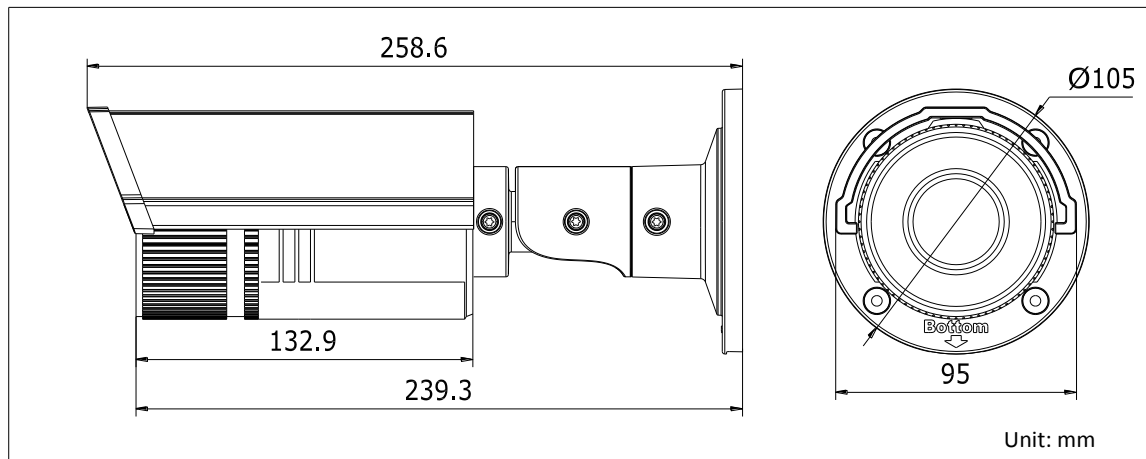
This image contains a junction box which is an optional accessory

The Eventys range CxMW4010 offers variants of up to H.264/MJPEG/H.264+ IP compression efficiency and optimised codec technology, alongside two network video recorders (NVRs). With a simple set up procedure, these products offer outstanding functionality and flexibility, and are perfect for small to medium sized installations, especially in combination with Eventys EX.

The Eventys CPMW4010-VIR bullet IP camera features 4MP resolution with a varifocal lens. Powering and connecting the bullet camera is a simple and straightforward exercise thanks to the use of power over Ethernet (PoE). Coupled with automatic IP address allocation, auto-device detection and connection (from Eventys NVRs), Eventys IP cameras truly are plug and play. Robust, reliable and suitable for a wide variety of applications, the cameras are built into an IP67 rated weatherproof enclosure, while advanced CMOS progressive scanning allows the camera to obtain values from each pixel in the sensor to produce a crisp and well exposed picture.

Key features include:

- 1/3" Progressive CMOS
- Up to 4 megapixel high resolution
- Dual stream
- Motorized lens 2.8-12mm
- 120dB Wide Dynamic Range
- 3D Digital Noise Reduction
- Backlight Compensation
- Support on-board storage, up to 128GB
- DC12V & PoE
- Support H.264/MJPEG/H.264+
- Up to 30m IR range
- 3-axis adjustment
- IP67 weather-proof protection
- Mobile Monitoring via build in online service
- Metallic housing & bracket
- Audio and Alarm in & out



Technical data

Model	CPMW4010-VIR
Camera	
Image Sensor	1/3" Progressive CMOS
Min. Illumination	0.01Lux @ (F1.2, AGC ON), 0.014 Lux @ (F1.4, AGC ON), 0 Lux with IR
Slow Shutter	Support
Shutter Speed	1/3 s to 1/100,000 s
Lens	2.8 - 12 mm @ F1.4 angle of view: 112°~33.8°
Lens Mount	Ø 14
Day & Night	IR cut filter with auto switch
Wide Dynamic Range	120dB
Digital Noise Reduction	3D DNR
Compression Standard	
Video Compression	H.264/MJPEG/H.264+
H.264 Compression Type	Main Profile
Video Bit Rate	32 Kbps – 8 Mbps
Audio Compression	G.711/G.722.1/G.726/MP2L2 64Kbps (G.711) / 16Kbps (G.722.1) / 16Kbps (G.726) / 32-128Kbps(MP2L2)
Image	
Max. Resolution	2688x1520
Frame Rate	50Hz: Main stream:20fps (2688x1520),25fps (1920x1080), 25fps (1280x720), Sub stream:25fps (352x288),25fps (640x360) 60Hz: Main stream:20fps (2688x1520),30fps (1920x1080),30fps (1280x720), Sub stream: 30fps (352x240),30fps (640x360)

Image Settings	Rotate Mode, Saturation, Brightness, Contrast, Sharpness adjustable by client software or web browser
Backlight compensation	Yes, zone optional
ROI	Support, one area
Network	
Network Storage	NAS (Support NFS, SMB/CIFS); Built-in Micro SD/SDHC/SDXC card slot, up to 128 GB
Detection	Intrusion detection, Line crossing detection, Motion detection, Dynamic analysis
Alarm Trigger	Tampering alarm, Network disconnect, IP address conflict, Storage exception
Protocols	TCP/IP, UDP, ICMP, HTTP, HTTPS, FTP, DHCP, DNS, DDNS, RTP, RTSP, RTCP, PPPoE, NTP, UPnP, SMTP, SNMP, IGMP, 802.1X, QoS, IPv6, Bonjour
Security	One key reset, Anti-flicker, heartbeat, mirror, password protection, privacy mask, watermark, IP address filtering, anonymous access
Standard	ONVIF (PROFILE S, PROFILE G)
Interface	
Audio	1-ch audio in (Mic in/Line in)/out interface
Communication Interface	1 RJ45 10M/100M Ethernet interface
On-board storage	Built-in Micro SD/SDHC/SDXC slot, up to 128 GB
Alarm	1x alarm I/O
Reset Button	Yes
General	
Operating Conditions	-30 °C – 60 °C (-22 °F – 140 °F) Humidity 95% or less (non-condensing)
Power Supply	12V DC±25%, PoE (802.3af Class3)
Power Consumption	Max. 5.5 W (Max. 7.5 W with IR cut filter on)
Material	Front Cover & Body & Sun shield & Bracket: Metal
Ingress Protection level	IP67
Impact protection	IK10
IR Range	Up to 30 meter
Dimensions	∅ 95x105x258.6 mm (∅ 3.74" × 4.13" × 10.18")
Net weight	850g

Details for ordering

Type	Part no.	Designation	Gross weight
CPMW4010-VIR	V54561-C145-A100	CPMW4010-VIR 4MP bullet IR Varif.	13500g
