

CVMW4010-VIR

4 Megapixel WDR varifocal vandal-proof network dome camera

VANDERBILT

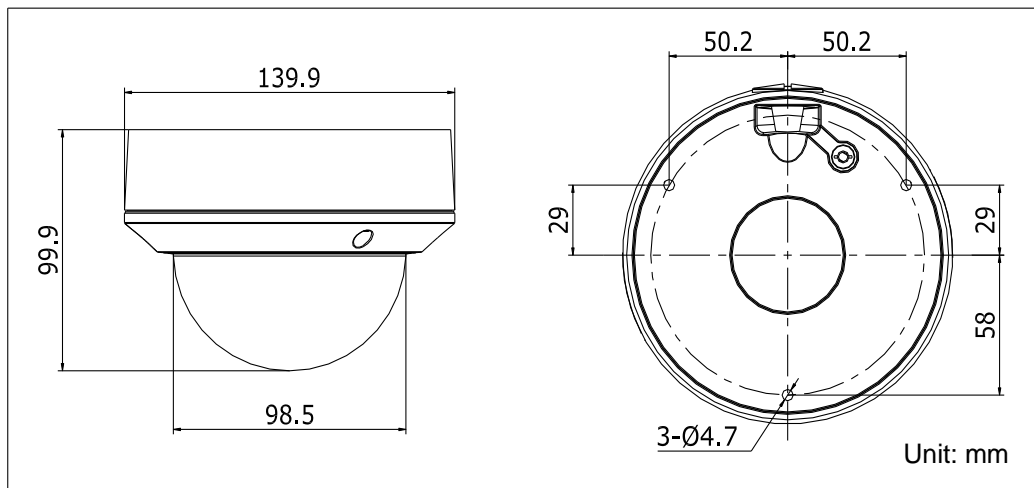


The Eventys range CxMW4010 offers variants of up to H.264 / MJPEG/H.264+ IP compression efficiency and optimised codec technology, alongside two network video recorders (NVRs). With a simple set up procedure, these products offer outstanding functionality and flexibility, and are perfect for small to medium sized installations, especially in combination with Eventys EX.

The Eventys CVMW4010-VIR IP WDR dome camera features 4MP resolution with a varifocal lens. Powering and connecting the dome camera is a simple and straightforward exercise thanks to the use of power over Ethernet (PoE). Coupled with automatic IP address allocation, auto-device detection and connection (from Eventys NVRs), Eventys IP cameras truly are plug and play. Robust, reliable and suitable for a wide variety of applications, the cameras are built into an IP67 rated weatherproof enclosure, while advanced CMOS progressive scanning allows the camera to obtain values from each pixel in the sensor and scans a crisp and well exposed picture.

Key features include:

- 1/3" Progressive Scan CMOS
- Up to 4 megapixel high resolution
- Dual video streams
- Motorized lens 2.8-12mm
- 120dB Wide Dynamic Range
- 3D Digital Noise Reduction
- 3-axis adjustment
- Support on-board storage, up to 128GB
- DC12V & PoE
- H.264 / MJPEG/H.264+
- Integrated IR range up to 30m
- IP67 weather-proof protection
- IK10
- Audio/Alarm IO



Technical data

Model	CVMW4010-VIR
Camera	
Image Sensor	1/3" Progressive CMOS
Min. Illumination	0.01Lux @ (F1.2, AGC ON), 0.014 Lux @ (F1.4, AGC ON), 0 Lux with IR
Shutter Speed	1/3 s ~ 1/100,000 s
Slow Shutter	Support
Lens	2.8 - 12 mm @ F1.4, angle of view: 112°~33.8°
Adjustment Range	Pan:0° - 355°, Tilt: 0° - 75°, Rotation: 0° - 355°
Lens Mount	Ø 14
Day & Night	IR cut filter with auto switch
DNR	3D DNR
WDR	120dB
Compression standard	
Video Compression	H.264/MJPEG/H.264+
H.264 Type	Main Profile
Video Bit Rate	32 Kbps – 16 Mbps
Audio compression	G.711/G.722.1/G.726/MP2L2, 64Kbps (G.711) / 16Kbps (G.722.1) / 16Kbps (G.726) / 32-128Kbps(MP2L2)
Image	
Max. Resolution	2688x1520
Frame Rate	50Hz: Main stream:20fps (2688x1520),25fps (1920x1080), 25fps (1280x720), Sub stream:25fps (352x288),25fps (640x360) 60Hz: Main stream:20fps (2688x1520),30fps (1920x1080),30fps (1280x720), Sub stream: 30fps (352x240),30fps (640x360)

Image Settings	Rotate Mode, Saturation, Brightness, Contrast, Sharpness adjustable by client software or web browser
Day/Night Switch	Auto/Schedule/Triggered by Alarm In
BLC	Support, zone configurable
ROI Codes	Support, one area
Network	
Network Storage	Micro SD/SDHC/SDXC card with ANR (up to 128G)
Alarm Trigger	Tampering alarm, Network disconnect, IP address conflict, Storage exception
Protocols	TCP/IP, UDP, ICMP, HTTP, HTTPS, FTP, DHCP, DNS, DDNS, RTP, RTSP, RTCP, PPPoE, NTP, UPnP, SMTP, SNMP, IGMP, 802.1X, QoS, IPv6, Bonjour
Security	One key reset, Anti-flicker, heartbeat, mirror, password protection, privacy mask, watermark, IP address filtering, anonymous access
Standard	ONVIF (PROFILE S, PROFILE G)
Interface	
Audio	1-ch audio in (Mic in/Line in)/out interface
Communication interface	1 RJ45 10M/100M Ethernet interface
Alarm	1x alarm I/O
On-board storage	Built-in Micro SD/SDHC/SDXC slot, up to 128GB
Reset Button	Yes
General	
Operating Conditions	-30 °C – 60 °C (-22 °F – 140 °F), Humidity 95% or less (non-condensing)
Power Supply	12V DC±25%, PoE (802.3af, class 3)
Power Consumption	Max. 5.5 W
Impact Protection	IEC60068-275Eh, 20J; EN50102, up to IK10
Material	Front Cover & Base: Metal
IR Range	Up to 30 meters
Ingress Protection	IP67
Dimensions	Φ 140 × 99.9 mm (Φ 5.51" × 3.94")
Net weight	800g

Details for ordering

Type	Part no.	Designation	Gross weight
CVMW4010-VIR	V54561-C143-A100	CVMW4010-VIR 4MP Fix dome IR Varif. WDR	1250g
