

CVMW4010-IR

4 Megapixel WDR fixed lens vandal-proof network dome camera

VANDERBILT

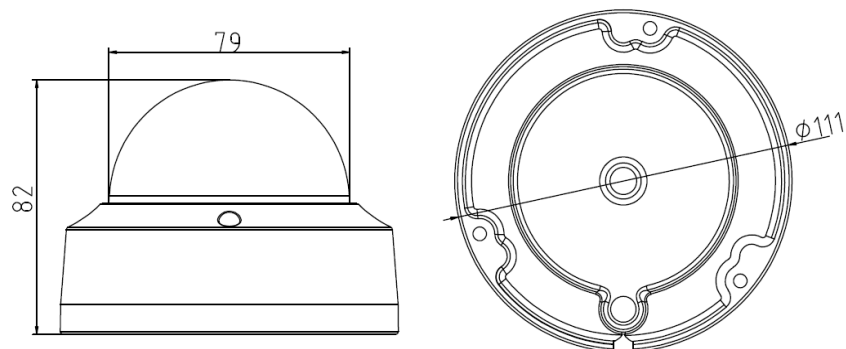


The Eventys range CxMW4010 offers variants of up to H.264 / MJPEG/H.264+ IP compression efficiency and optimised codec technology, alongside two network video recorders (NVRs). With a simple set up procedure, these products offer outstanding functionality and flexibility, and are perfect for small to medium sized installations, especially in combination with Eventys EX.

The Eventys CVMW4010-IR IP WDR dome camera features 4MP resolution with a fixed lens. Powering and connecting the dome camera is a simple and straightforward exercise thanks to the use of power over Ethernet (PoE). Coupled with automatic IP address allocation, auto-device detection and connection (from Eventys NVRs), Eventys IP cameras truly are plug and play. Robust, reliable and suitable for a wide variety of applications, the cameras are built into an IP67 rated weatherproof enclosure, while advanced CMOS progressive scanning allows the camera to obtain values from each pixel in the sensor to produce a crisp and well exposed picture.

Key features include:

- 1/3" Progressive Scan CMOS
- Up to 4 megapixel high resolution
- Dual video streams
- 2.8mm fixed lens
- 120dB Wide Dynamic Range
- 3D Digital Noise Reduction
- 3-axis adjustment
- Support on-board storage, up to 128GB
- DC12V & PoE
- H.264 / MJPEG/H.264+
- Up to 30m IR range
- IP67 weather-proof protection
- IK10
- Audio/Alarm IO



Technical data

Model	CVMW4010-IR
Camera	
Image Sensor	1/3" Progressive Scan CMOS
Min. Illumination	0.01Lux @ (F2.0, AGC ON) ,0 Lux with IR
Shutter Speed	1/3 s to 1/10,000 s
Lens	2.8mm @ F2.0 angle of view: 106°
Lens Mount	M12
Adjustment Range	Pan: 0° ~ 355°, Tilt: 0° ~ 75°, Rotation: 0° ~ 355°
Day &Night	IR cut filter with auto switch
DNR	3D DNR
Wide Dynamic Range	120dB
Compression Standard	
Video Compression	H.264 / MJPEG/H.264+
H.264 Type	Main Profile
Video Bit Rate	32 Kbps ~ 16 Mbps
Dual streams	Support
Audio compression	G.711/G.722.1/G.726/MP2L2, 64Kbps (G.711) / 16Kbps (G.722.1) / 16Kbps (G.726) / 32-128Kbps(MP2L2)
Image	
Max. Resolution	2688x1520
Frame Rate	50Hz: 20fps (2688x1520), 25fps (1920x1080), 25fps (1280x720) 60Hz: 20fps (2688x1520), 30fps (1920x1080), 30fps (1280x720)

Image Setting	Rotate Mode, Saturation, Brightness, Contrast, Sharpness adjustable by client software or web browser
BLC	Support, zone configurable
ROI Codec	Support, one area
Network	
Network Storage	NAS (Support NFS, SMB/CIFS)
Detection	Intrusion detection, Line crossing detection, Motion detection, Dynamic analysis
Alarm Trigger	Tampering alarm, Network disconnect, IP address conflict, Storage exception
Protocols	TCP/IP, UDP, ICMP, HTTP, HTTPS, FTP, DHCP, DNS, DDNS, RTP, RTSP, RTCP, PPPoE, NTP, UPnP, SMTP, SNMP, IGMP, 802.1X, QoS, IPv6, Bonjour
Security	One key reset, flash prevention, dual streams, heartbeat, mirror, password protection, priva-cymask, Watermark, IP address filtering, Anonymous access
System Compatibility	ONVIF (Profile S, Profile G)
Interface	
Audio	1-ch audio in (Mic in/Line in)/out interface
Communication Interface	1 RJ45 10M / 100M Ethernet interface
On-board storage	Built-in Micro SD/SDHC/SDXC slot, up to 128 GB
Alarm	1x alarm I/O
Reset Button	Yes
General	
Operating Conditions	-30 °C ~ 60 °C (-22 °F ~ 140 °F) Humidity 95% or less (non-condensing)
Power Supply	DC12V ± 25%, PoE (802.3af Class 3)
Power Consumption	Max. 5W
IR Range	Up to 30 meters
Material	Base & Top Cover: Metal
Weather Proof	IP67
Impact Protection	IK10
Dimensions	∅ 111 × 82 mm (∅ 4.4" × 3.2")
Net weight	500g

Details for ordering

Type	Part no.	Designation	Gross weight
CVMW4010-IR	V54561-C142-A100	CVMW4010-IR 4MP Fix dome, IR, WDR	750g
