

CVVS1327-LP

Super high resolution vandal-resistant fix dome (960H sensor technology) with varifocal lens

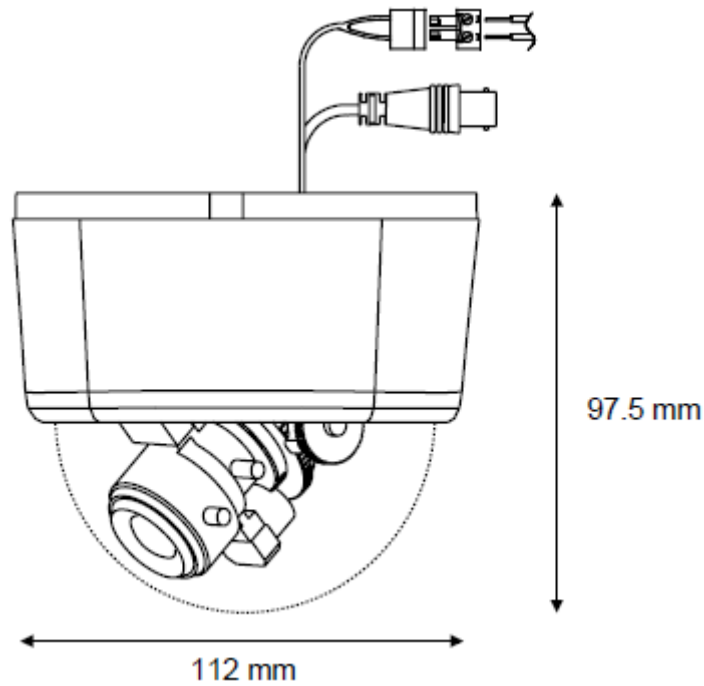
VANDERBILT



Attractive high resolution dome camera for either ceiling or wall mount complete with smoked protective bubble. Includes service monitor connection and cable for easy local setup. Designed for indoor or outdoor (IP66 rating) applications where discreet, unobtrusive surveillance is demanded. The electronic design is based on latest 960H sensor technology delivering detailed video resolution from up to 700 TVL.

Key features include:

- Discreet and compact design
- Super high resolution max. 700 TVL (960H sensor technology)
- High-performance aspherical Auto-Iris lens F1.4
- Impact resistant 1000kg, IK10
- Switchable BLC (6 predefined fields with remote software)
- Dual voltage 12 V DC/24 V AC (line-lock phase adjustment)
- Full X, Y and Z axis adjustment for wall and ceiling mount
- Smoked protective lower bubble
- Easy setup via setup software with local remote-setup port



Technical data

CVVS1327-LP

General

Fixed Dome High Resolution Day/Night

Image sensor

Horizontal resolution max. 700 TV lines, typ. 650 TV lines

Minimum illumination (at 50 IRE)

Clear bubble 0.29 Lux (colour) / 0.21 Lux (mono)
Smoked bubble 0.53 Lux (colour) / 0.43 Lux (mono)

S/N ratio > 50 dB

Electronic shutter (AES) 1/50 to 1/100000 s

Backlight compensation ON or OFF (software allows 6 zones)

Gain control AGC ON or OFF
(software allows 18 - 30 dB)

Sync system Internal / line lock (AC only)

White balance Automatic

Bubble type Smoked

Video output

TV system PAL, 2:1 interlace, 50 Hz vertically,
15,625 Hz horizontally

Signal (composite) 1 Vpp, 75 Ohm, BNC

Local service monitor output Yes (cable included)

Lens details

Focal length 3.7 - 12 mm

Focus type Adjustable

Maximum relative aperture F1.4 - 2.8

Technical data

Iris	Direct drive auto-iris
Horizontal angle of view	22.7 – 76.9°
Minimum object distance	0.5 m
Electrical	
Supply voltage	12 V DC / 24 V AC, 2,5 W
RS232 remote setup (optional)	Yes
Mechanical	
Dimensions (Ø x H)	138 x 112 mm

Details for ordering

Type	Part no.	Designation	Weight*
CVVS1327-LP	V54561-C109-A100	1/3" CCD Vandal-Resistant Dome, High Resolution Day/Night 12 V DC/24 V AC, 2,5 W	1.7 kg

